



AIR CONDITIONING



REFRIGERATION



HEATING



silent+ MINI LIME

CONDENSATE REMOVAL PUMP

The Silent+ Mini Lime is designed around a 'total system approach' and includes many features to create a truly silent system. Perfect for offices and meeting rooms. ('Pump only pack' also available).



12L/h max. flow



10m max. rec. head
(flow rate 6L/h)



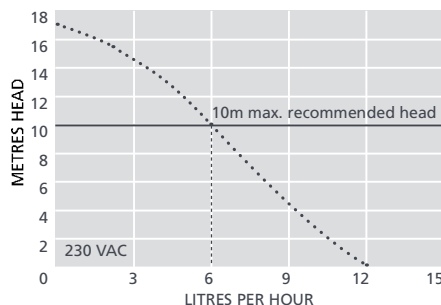
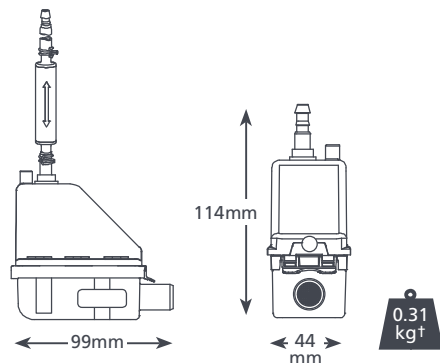
21dB(A)

KEY FEATURES

- Acoustic damper
- Pump sits in trunking elbow
- Left or right install
- Range of trunking systems

SUITABILITY

- Up to 16kW / 54,000Btu/h
- High wall split systems
- ✓ **Perfect for...** Commercial use where silence is important



SUGGESTED XTRA ACCESSORIES

| System | Part No. |
|-------------------------------|----------|
| 1 Amp Fuse | FP2620 |
| Tube To Soil Stack Adaptor | FP2038 |
| Vinyl Tube Braided 1/4" (6mm) | AX5100 |



For more installation accessories take a look at our Aspen Xtra range

SILENT+ MINI LIME SPECIFICATIONS

| | |
|--------------------|--|
| Max. flow | 12L/h @ 0 head |
| Max. rec. head | 10m |
| Max. suction lift | n/a |
| Sound level@1m | 21dB(A) |
| Power supply | 230 VAC, 0.1A, 16W, 50/60Hz |
| Rated Class | Non continuous II appliance <input type="checkbox"/> |
| Max. unit output | 16kW / 54,000Btu/h |
| Max. water temp | 40°C / 104°F |
| Discharge tube | 6mm ID |
| IP Protection | IP24 |
| Safety switch | 3.0A Normally closed |
| Thermal protection | ✓ |
| Fully potted | ✓ |
| Self priming | ✓ |

SILENT+ MINI LIME SYSTEM OPTIONS

| System | Colour | Part No. |
|--------------------------------|---------|----------|
| Slimline | ○ Ivory | FP3312 |
| " | ○ White | FP3319 |
| BBJ (SpeedyDuct) | ○ Ivory | FP3316 |
| " | ○ White | FP3320 |
| Inoac | ○ Ivory | FP3317 |
| " | ○ White | FP3321 |
| Artiplastic | ○ Ivory | FP3315 |
| Optimal (EU ONLY) | ○ White | FP3327 |
| Silent+ Mini Lime Replacement† | | FP3322 |

† Pump only – no trunking included

IN THE BOX

Silent+ Mini Lime pump (including 1.5m hard wired power cable) • Acoustic damper and 1m lime discharge tube with connector • 500mm Lime green inlet hose 14mm ID • 40mm Vinyl breather tube 6mm ID • Anti siphon device • Elbow front and back • 800mm Conduit front and back • Internal conduit sleeve (Slimline system only) • Gasket (Slimline, BBJ and Inoac/Inaba systems only) • Ceiling plate • Drain connector kit • Fixing kit • Install manual



Download manual at aspenpumps.com



View install video at aspenpumps.com

Information correct at time of going to press.